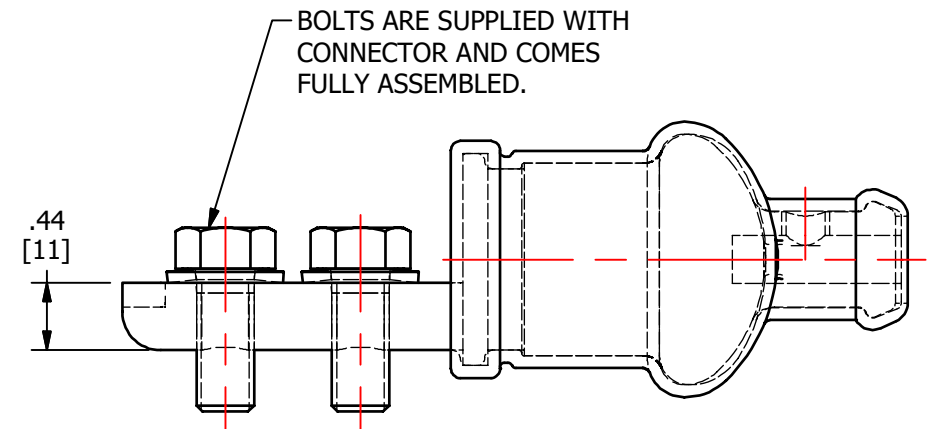
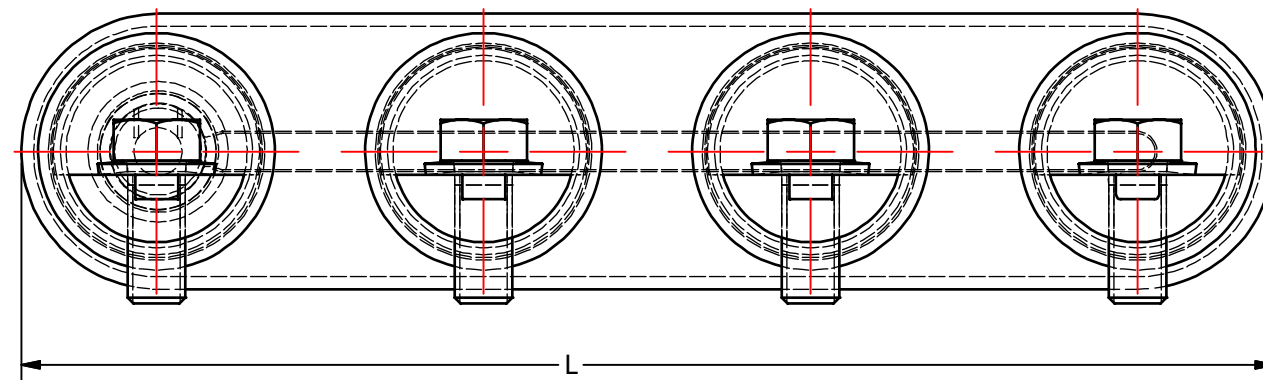
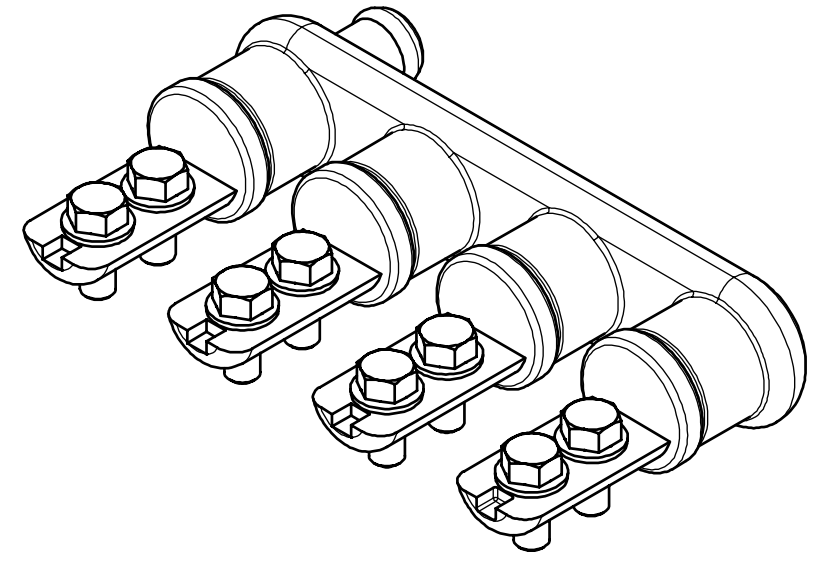
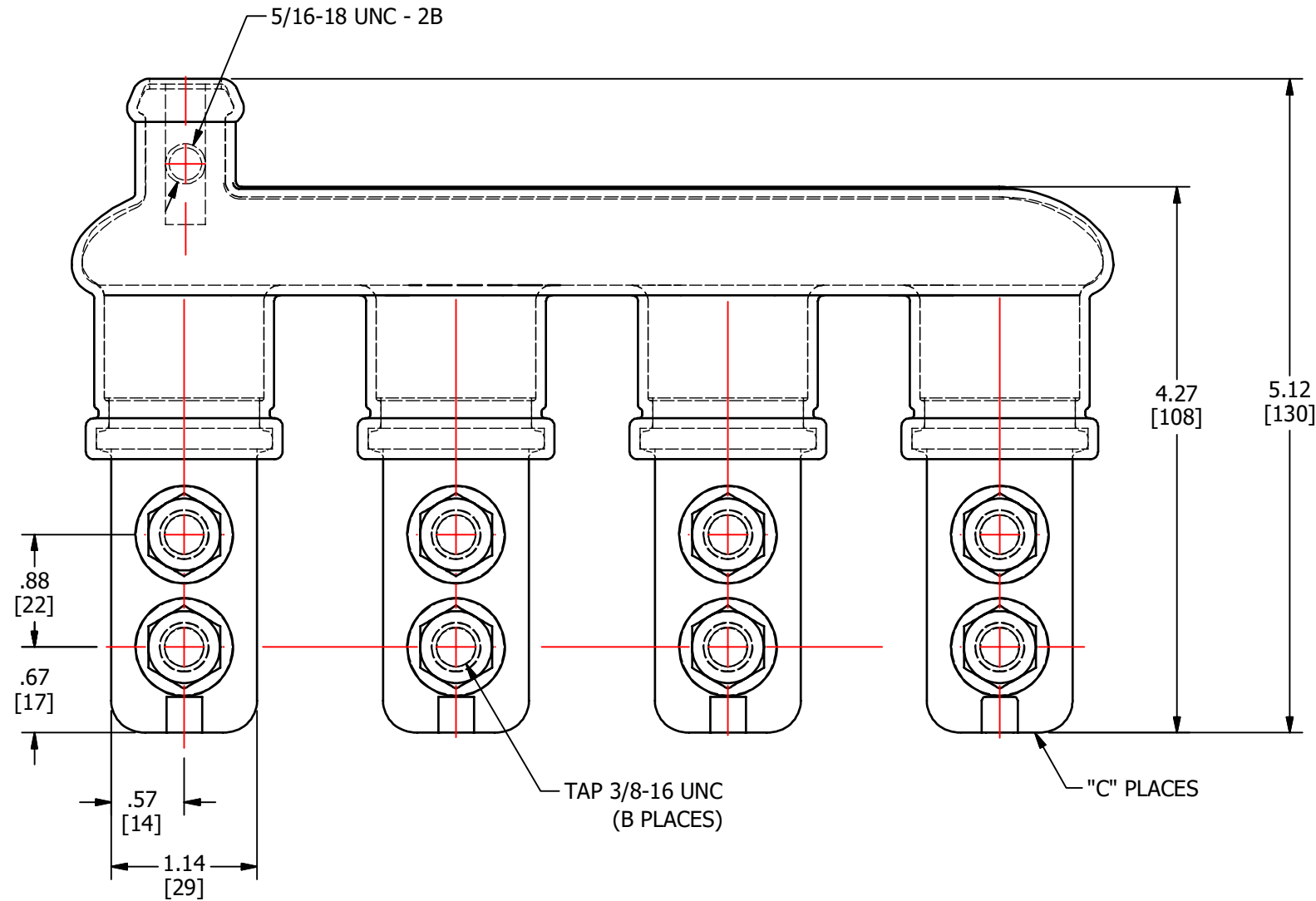


S.NO	CATALOG NUMBER	L	B	c
1	UC44SL	7 [178]	8	4
2	UC55SL	8.88 [226]	10	5
3	UC66SL	10.75 [273]	12	6
4	UC88SL	14.50 [368]	16	8



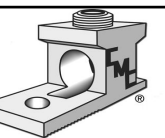
MATERIAL: ALUMINUM
VOLTAGE RATING: 600 V

						TO ORDER CMC PRODUCTS CALL 1-513-860-4455	DRAWN BY: TS 05-29-19	NAME OF PART: SUBMERSIBLE PEDESTAL CONNECTOR ASSEMBLY	CAT. NO.: SEE TABLE
						FOR PRODUCT INFO: http://www.cmcclugs.com	CHECKED BY:	DWG NO: U55700554-S (CHARTED)	B
A	NEW DRAWING CREATED		05-29-19	TS			DRAWING NOT TO SCALE		SHEET NO: 1 OF 1
REV.	DESCRIPTION	ECN	DATE	INIT.					

THIS INFORMATION IS PROPRIETARY TO CONNECTOR MFG. CO. AND IS NOT TO BE DISCLOSED OUTSIDE OF CONNECTOR MFG. CO. WITHOUT A CONFIDENTIALITY AGREEMENT



CONNECTOR MANUFACTURING CO.



HAMILTON, OHIO